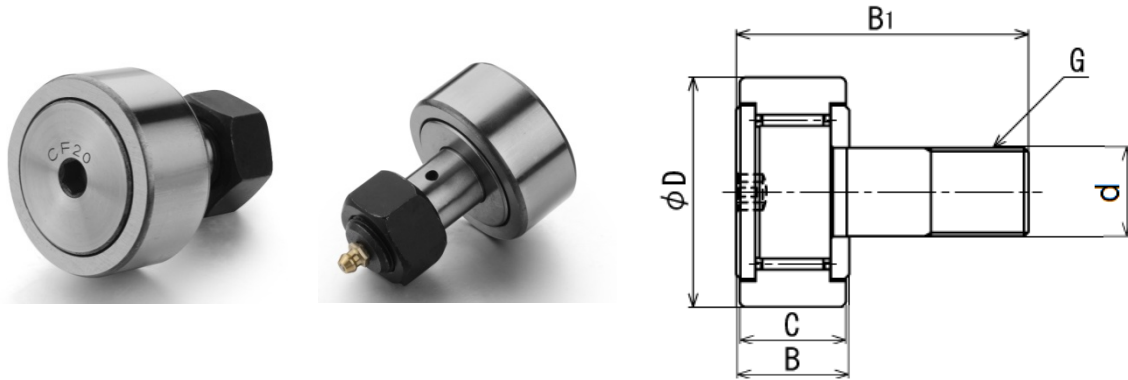


## 凸輪軸承 CF



Shaft dia. 3-30mm

規格	d	D	G 螺紋	C	B	B1	重量 (g)
CF-3	3	10	M3×0.5	7	8	17	4.3
CF-4	4	12	M4×0.7	8	9	20	7.4
CF-5	5	13	M5×0.8	9	10	23	10.3
CF-6	6	16	M6×1.0	11	12	28	18.5
CF-8	8	19	M8×1.25	11	12	32	28.5
CF-10	10	22	M10×1.25	12	13	36	45
CF-10-1	10	26	M10×1.25	12	13	36	60
CF-12	12	30	M12×1.5	14	15	40	95
CF-12-1	12	32	M12×1.5	14	15	40	105
CF-16	16	35	M16×1.5	18	20	52	170
CF-18	18	40	M18×1.5	20	22	58	250
CF-20	20	52	M20×1.5	24	26	66	460
CF-20-1	20	47	M20×1.5	24	26	66	385
CF-24	24	62	M24×1.5	29	31	80	815
CF-24-1	24	72	M24×1.5	29	31	80	1140
CF-30	30	80	M30×1.5	35	37	100	1870
CF-30-1	30	85	M30×1.5	35	37	100	2030
CF-30-2	30	90	M30×1.5	35	37	100	2220