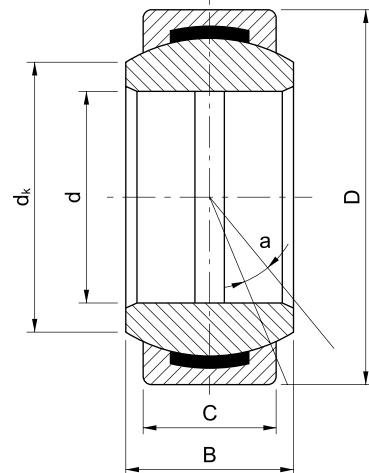


- 外圈擠壓成形，球面襯有SF-1材料。
Outer ring pressed inner ring, to line SF-1 material on the surface of spherical plain.
- 內圈球面鍍鉻。
Spherical surface of inner with chromiun plating.



軸承型號 Bearings number	尺寸 Dimensions (mm)								負荷KN Load ratings		重量 Weight (kg)
	d	D	B	C	d _k	R _{1s} min	R _{1s} min	a° ≈	動 C	靜 Co	
GE 4UK	4	12	5	3	6	0.3	0.3	16	2.0	5.4	0.003
GE 5UK	5	14	6	4	8	0.3	0.3	13	3.6	9.1	0.005
GE 6UK	6	14	6	4	8	0.3	0.3	13	3.6	9.1	0.004
GE 8UK	8	16	8	5	10	0.3	0.3	15	5.8	14	0.008
GE 10UK	10	19	9	6	13	0.3	0.3	12	8.6	21	0.011
GE 12UK	12	22	10	7	15	0.3	0.3	10	11	28	0.015
GE 15UK	15	26	12	9	18	0.3	0.3	8	18	45	0.027
GE 17UK	17	30	14	10	20	0.3	0.3	10	22	56	0.041
GE 20UK	20	35	16	12	24	0.3	0.3	9	31	78	0.066
GE 25UK	25	42	20	16	29	0.6	0.6	7	51	127	0.119
GE 30UK	30	47	22	18	34	0.6	0.6	6	65	166	0.163
GE 4FW	4	14	7	4	8	0.3	0.3	20	3.6	9.1	0.005
GE 5FW	5	16	9	5	8	0.3	0.3	21	5.8	14	0.006
GE 6FW	6	16	9	5	9	0.3	0.3	21	5.8	14	0.008
GE 8FW	8	19	11	6	11	0.3	0.3	21	8.6	21	0.014
GE 10FW	10	22	12	7	13	0.3	0.3	18	11	28	0.021
GE 12FW	12	26	15	9	16	0.3	0.3	18	18	45	0.033
GE 15FW	15	30	16	10	19	0.3	0.3	16	22	56	0.049
GE 17FW	17	35	20	12	21	0.3	0.3	19	31	78	0.083
GE 20FW	20	42	25	16	24	0.3	0.3	17	51	127	0.153
GE 25FW	25	47	28	18	29	0.6	0.6	17	65	166	0.203
GE 30FW	30	55	32	20	34	0.6	0.6	17	83	212	0.304