
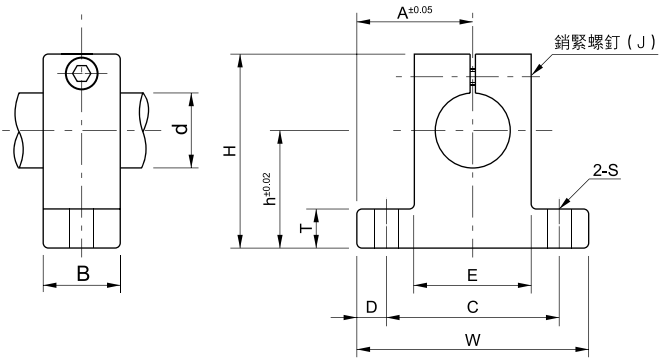


## 軸支座 Slide Support

**SH** ...

KENT軸支座 Support of Shaft

軸徑 Shaft Diameter

**SH**

型號 Designation	軸徑 Shaft Diameter	Dimensions (mm)											重量 Weight (gf)
		h	A	W	H	T	E	D	C	B	S	J	
SH8	φ 8	20	21	42	32.8	6	18	5	32	14	φ 5.5	M4	24
SH10	φ 10	20	21	42	32.8	6	18	5	32	14	φ 5.5	M4	24
SH12	φ 12	23	21	42	37.5	6	20	5	32	14	φ 5.5	M4	30
SH13	φ 13	23	21	42	37.5	6	20	5	32	14	φ 5.5	M4	30
SH16	φ 16	27	24	48	44	8	25	5	38	16	φ 5.5	M4	40
SH20	φ 20	31	30	60	51	10	30	7.5	45	20	φ 6.6	M5	70
SH25	φ 25	35	35	70	60	12	38	7	56	24	φ 6.6	M6	130
SH30	φ 30	42	42	84	70	12	44	10	64	28	φ 9	M6	180
SH35	φ 35	50	49	98	82	15	50	12	74	32	φ 11	M8	270
SH40	φ 40	60	57	114	96	15	60	12	90	36	φ 11	M8	420
SH50	φ 50	70	63	126	120	18	74	13	100	40	φ 14	M12	750
SH60	φ 60	80	74	148	136	18	90	14	120	45	φ 14	M12	1100